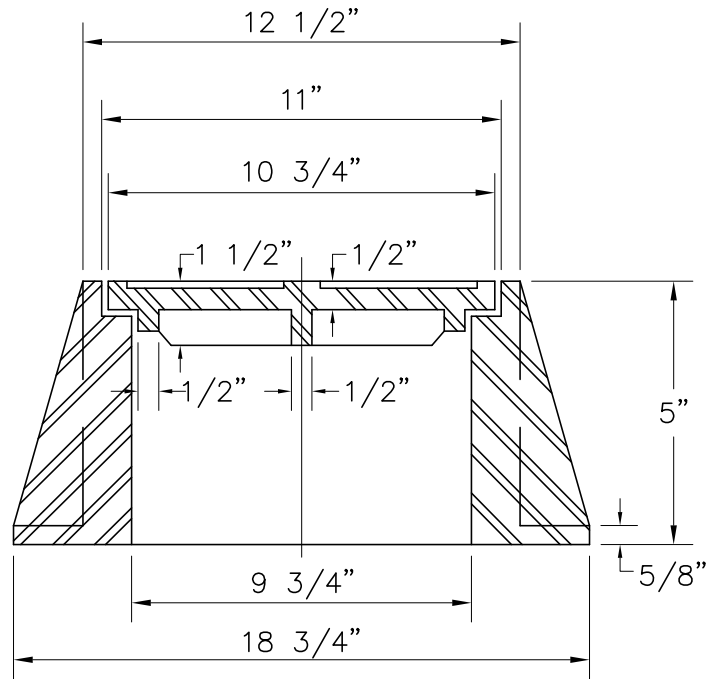


\* ALL MATERIALS USED SHALL CONFORM TO ASTM SPEC.  
 A-159-64T-G3000 OR U.S. GOV'T SPEC. QQ1-653



LOS ALTOS HILLS



CALIFORNIA

TITLE

FLUSHING INLET FRAME AND COVER

ADOPTED BY CITY COUNCIL DATE:

1/13/2011

SCALE: NONE

DATE: 1/4/2011

CHK: RC

STANDARD DETAIL

SS-4