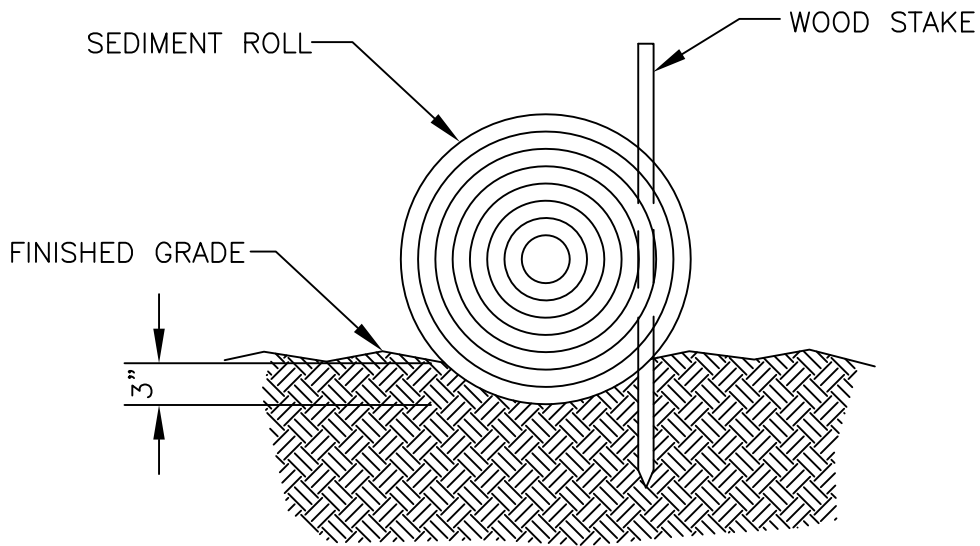


ENTRENCHMENT DETAIL IN SLOPE AREA
N.T.S.



ENTRENCHMENT DETAIL IN FLAT AREA
N.T.S.

LOS ALTOS HILLS



CALIFORNIA

TITLE

SEDIMENT ROLL DETAIL

ADOPTED BY CITY COUNCIL DATE:

12/07/2011

SCALE: NONE

DATE: 11/18/2011

CHK: JMP

STANDARD DETAIL

25