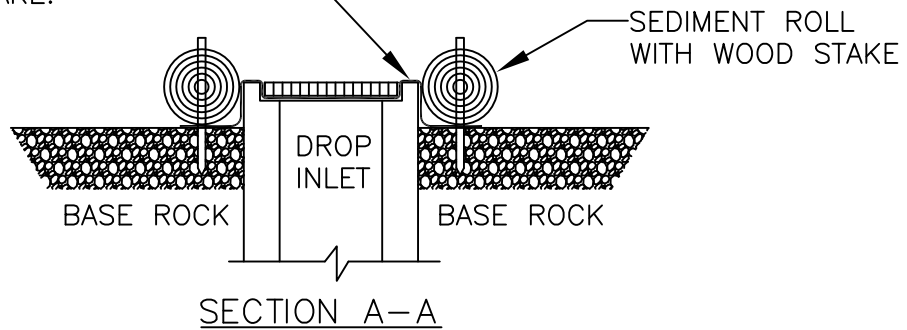
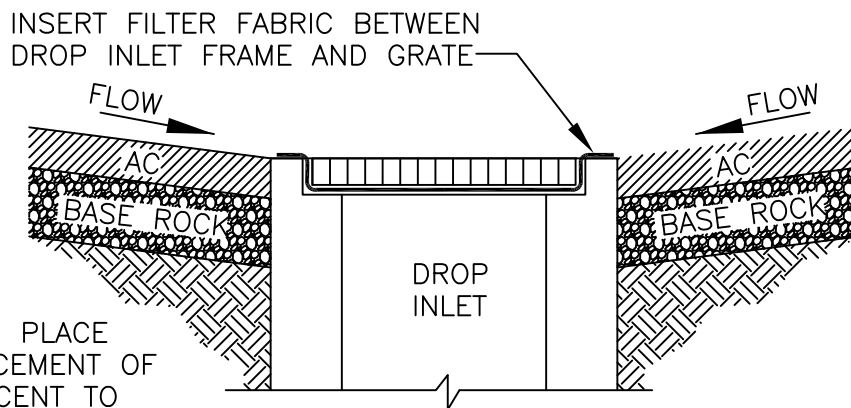


INSERT FILTER FABRIC SECURELY UNDER SEDIMENT ROLLS AND BETWEEN DROP INLET FRAME AND GRATE, OVERLAPPING FABRIC TO NEXT STAKE.



SEDIMENT ROLL DROP INLET SEDIMENT BARRIER



NOTE: TO BE IN PLACE FOLLOWING PLACEMENT OF PAVEMENT ADJACENT TO DROP INLET.

LOS ALTOS HILLS



CALIFORNIA

TITLE
FILTER FABRIC DROP INLET SEDIMENT BARRIER

ADOPTED BY CITY COUNCIL DATE:

12/07/2011

SCALE: NONE

DATE: 11/18/2011

CHK: JMP

STANDARD DETAIL

24