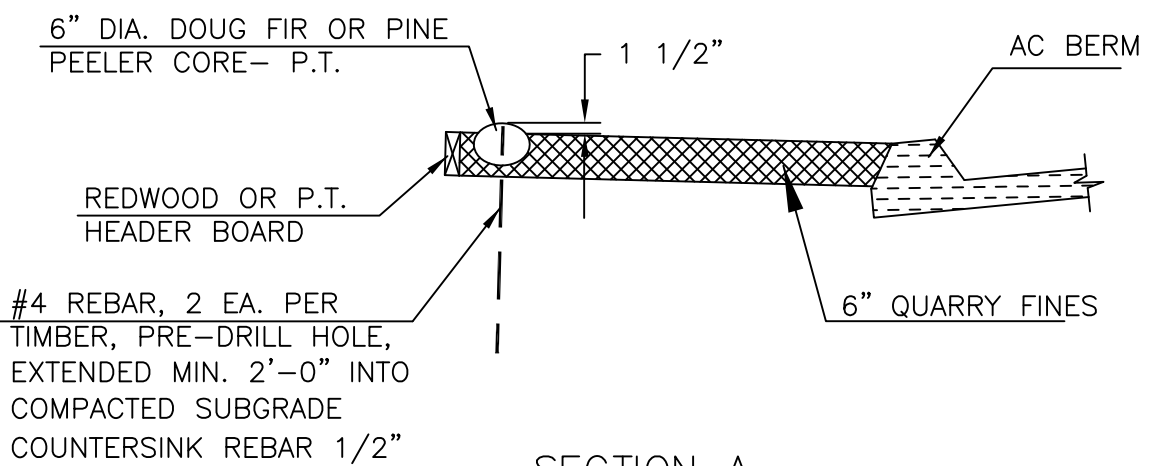


PLAN

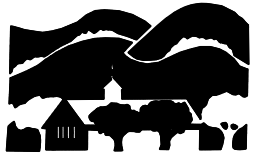


SECTION A

LEGEND

- P.T. PRESSURE TREATED
- TYP. TYPICAL
- DIA. DIAMETER
- EA. EACH
- AC ASPHALT CONCRETE

LOS ALTOS HILLS



CALIFORNIA

TITLE			PATHWAY WATER BAR		
ADOPTED BY CITY COUNCIL DATE:		SCALE: NONE	STANDARD DETAIL 21		
12/07/2011		DATE: 11/18/2011			
		CHK: JMP			
26379 FREMONT ROAD, LOS ALTOS HILLS, CA 94022 • Phone: (650) 941-7222					