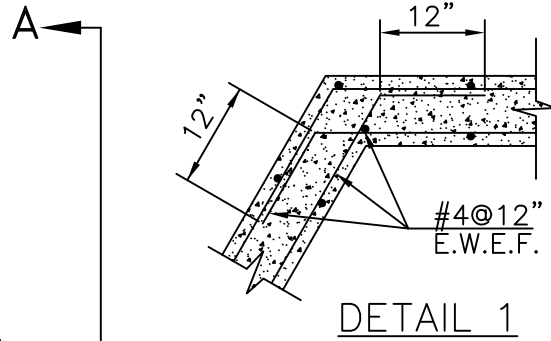
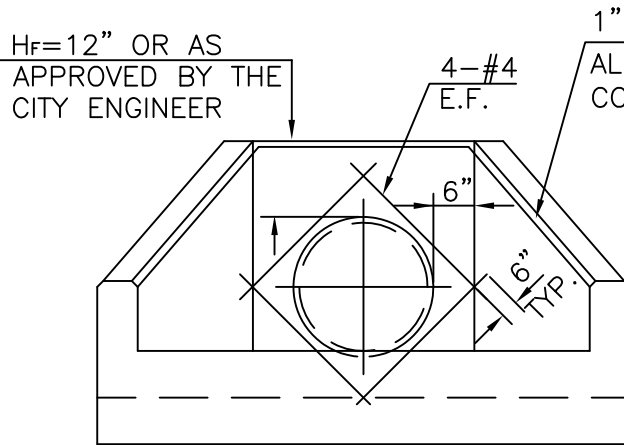


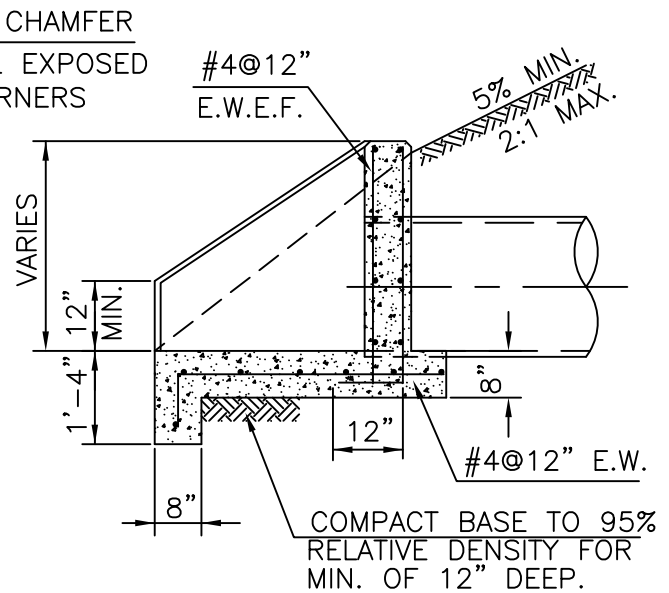
PLAN



DETAIL 1



ELEVATION



SECTION A

LEGEND

- E.F. EACH FACE
- E.W. EACH WAY
- H_F HEIGHT OF FREEBOARD
- L_A LENGTH OF APRON
- MAX. MAXIMUM
- MIN. MINIMUM
- O.D. OUTSIDE DIAMETER
- TYP. TYPICAL

NOTES:

1. ALL CONCRETE TO BE CLASS "A" IN ACCORDANCE WITH SECTION 90, OF STATE STANDARD SPECIFICATIONS.
2. BAR REINFORCEMENT SHALL CONFORM TO SEC. 52 OF STATE STANDARD SPECIFICATIONS. MIN. 2" CLEAR FROM FACE OF CONCRETE. VERTICAL LAP SPLICE, 18"MIN.

LOS ALTOS HILLS



CALIFORNIA

TITLE

HEADWALL TYPE "B"

ADOPTED BY CITY COUNCIL DATE:

12/07/2011

SCALE: NONE

DATE: 11/18/2011

CHK: JMP

STANDARD DETAIL

12