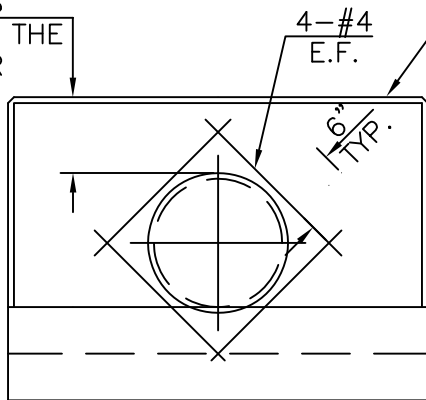


LEGEND

- E.F. EACH FACE
- E.W. EACH WAY
- H_F HEIGHT OF FREEBOARD
- MAX. MAXIMUM
- MIN. MINIMUM
- TYP. TYPICAL
- O.D. OUTSIDE DIAMETER
- W_H WIDTH OF HEADWALL

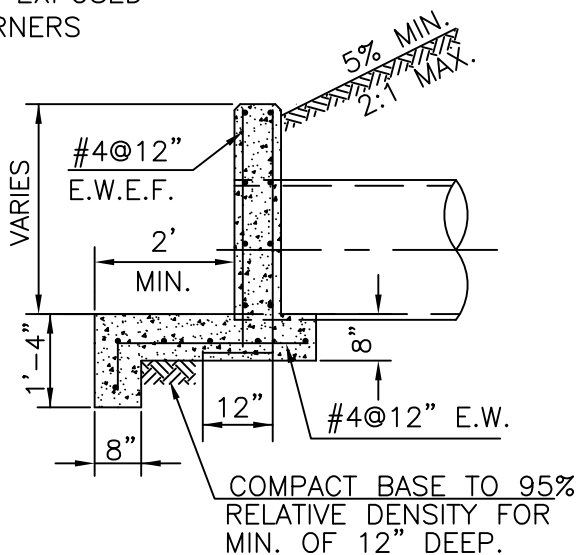
PLAN

H_F=12" OR AS APPROVED BY THE CITY ENGINEER



1" CHAMFER ALL EXPOSED CORNERS

ELEVATION



SECTION A

NOTES:

1. ALL CONCRETE TO BE CLASS "A" IN ACCORDANCE WITH SECTION 90, OF STATE STANDARD SPECIFICATIONS.
2. BAR REINFORCEMENT SHALL CONFORM TO SEC. 52 OF STATE STANDARD SPECIFICATIONS. MIN. 2" CLEAR FROM FACE OF CONCRETE. VERTICAL LAP SPLICE, 18" MIN.

LOS ALTOS HILLS



CALIFORNIA

TITLE

HEADWALL TYPE "A"

ADOPTED BY CITY COUNCIL DATE:

12/07/2011

SCALE: NONE

DATE: 11/18/2011

CHK: JMP

STANDARD DETAIL

11