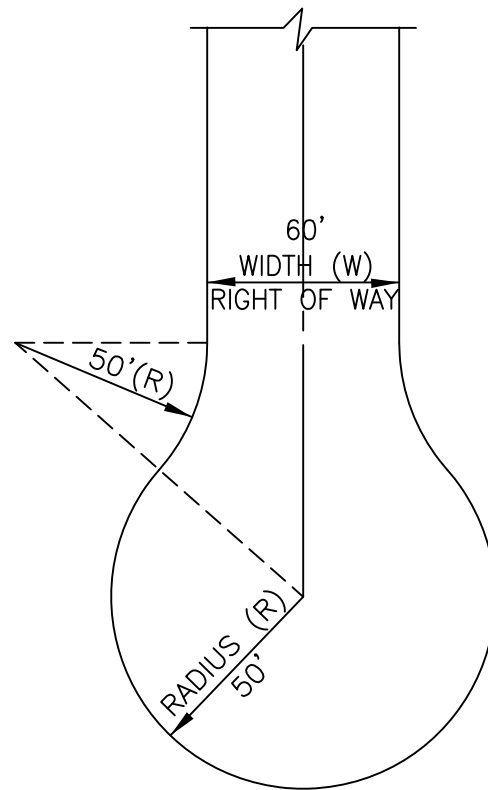


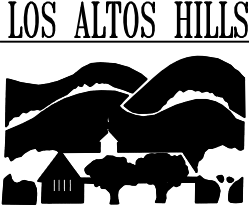
OFFSET BULB



SYMMETRICAL BULB

NOTES:

1. SEE TYPICAL GEOMETRIC ROAD SECTIONS FOR ROAD WIDTH (W).
2. TYPICAL MAY BE OPPOSITE HAND.

 <p>LOS ALTOS HILLS CALIFORNIA</p>	<p>TITLE</p> <p style="text-align: center;">ROAD STANDARDS CUL DE SAC DETAIL</p>		
	<p>ADOPTED BY CITY COUNCIL DATE:</p> <p style="text-align: center;">12/07/2011</p>	<p>SCALE: NONE</p> <p>DATE: 11/18/2011</p> <p>CHK: JMP</p>	<p>STANDARD DETAIL</p> <p style="text-align: center; font-size: 2em;">2</p>
	<p>26379 FREMONT ROAD, LOS ALTOS HILLS, CA 94022 • Phone: (650) 941-7222</p>		